

# 9220/9222 SPEEDOMETER SENDER INSTALLATION INSTRUCTIONS

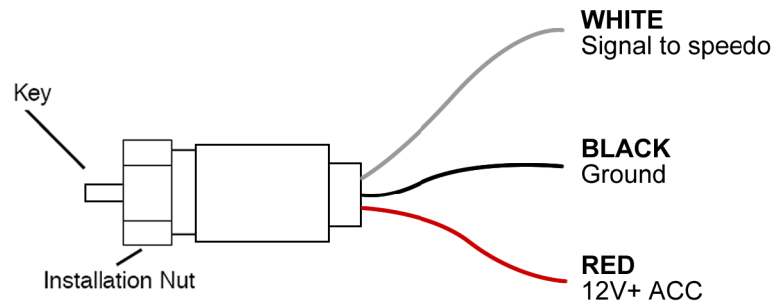


## Model 9220 (GM Models)

1. Place sender on transmission take-off.
2. Tighten installation nut.
3. Wire sender as shown.

### WARNING!

DO NOT put 12V+ on signal wire. The sender will be damaged and warranty will be voided.



## Model 9222 (Ford Models)

1. Remove stock speedo cable.
2. Remove c-clip off of cable.
3. Remove nylon gear.
4. Install gear on sender.
5. Insert sender into transmission.
6. Tighten mounting bracket to the transmission with the existing bolt.
7. Wire sender as shown.

### WARNING!

DO NOT put 12V+ on signal wire. The sender will be damaged and warranty will be voided.

