

# Model ADJ

## 3" & 5" Adjustable Angle Bimetal Thermometer

### Specifications

Stem Diameter: .25"

Stem Length: Lengths from 2½" to 92"

Connection: ½" NPT

Ranges: Many °F, °C and dual ranges available

Construction: All stainless steel

Hermetic Seal: Weather tight

Dial: Silver dial, easy to read from any angle

Head: Can be rotated 360° and angled 180°

External Reset: Easy to recalibrate

Accuracy: 1% of full span

Lens: Glass

Over Range: 50% to 500°F, 10% over 500°F



### Options

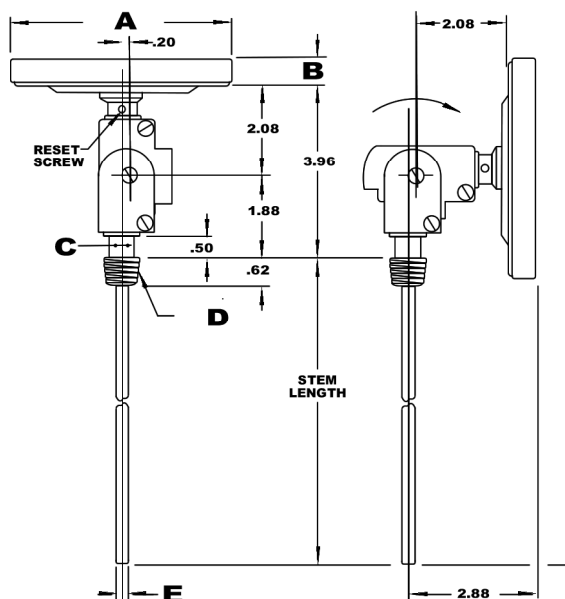
1/4" NPT Connection

Liquid Filled

Heavy Duty Stem (0.375" & 0.5" OD)

Spike Tipped Stem

Plastic Safety Lens



### ADJ-3

A 3.010"

B 0.600"

C 0.615" Wrench Flats

D 0.500" NPT

E 0.250"

### ADJ-5

4.890"

0.600"

0.615" Wrench Flats

0.500" NPT

0.250"

All Dimensions Are Approximate

*Marshall*  
I N S T R U M E N T S  
www.marshallinstruments.com

Rev: 5.27.05

Marshall Instruments  
2930 East La Cresta  
Anaheim, CA 92806  
Tel: 714.632.8565  
Toll Free: 800.222.8476  
Fax: 714.666.2326