

303LFW ALL STAINLESS U-CLAMP PANEL MOUNT

Heavy duty, all stainless steel gauge with welded case-to-stem connection

Stainless steel case and bezel, 316 stainless steel internals

Glycerine filled for added durability in applications where vibration or pulsation is present

SPECIFICATIONS

Dial	1 1/2" (40 mm), 2" (50 mm), 2 1/2" (63 mm), 4" (100 mm) - See 313D page 41
Case	Stainless steel, glycerine filled (available dry) Welded case-to-stem connection
Wetted Parts	316 stainless steel
Bezel	Stainless steel, fixed
Lens	Polycarbonate
Pointer	Black aluminum
Connection	Center back mount with u-clamp 1 1/2" dial = 1/8" NPT 2" dial = 1/8" or 1/4" NPT 2 1/2" dial = 1/4" NPT
Scale	Standard: psi/BAR (x 100 = kPa)
Accuracy	3-2-3% of span 1 1/2" & 2" ASME B40.1 Grade B 2-1-2% of span 2 1/2" ASME B40.1 Grade A
Ambient Temp	Glycerine Filled = 30° F to 160° F Dry = -30° F to 180° F

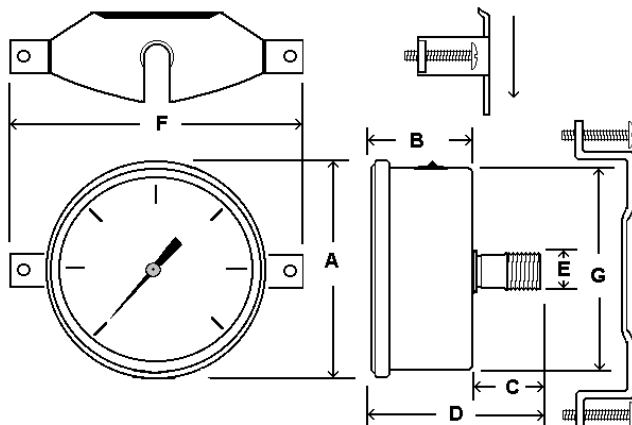
Design meets or exceeds ASME B40.100 pressure gauge standard.



AVAILABLE OPTIONS*

- Certificate of Accuracy, NIST traceable
- Custom Dial
- Liquid Fill Options, see page 176
- Anti-Vibration Movement, see page 109
- Dry, Fillable Case
- Glass Lens
- Cleaned for Oxygen Service (dry only)
- Special Connection Size
- Single Scale
- Max/Min Pointer, see page 122

*Lead times/minimums may apply



APPROXIMATE SHIPPING WEIGHTS/ BOX QUANTITIES

Dial	Unit	A	B	C	D	E	F	G
1 1/2"	In.	1.83"	1.01"	0.89"	1.90"	1/8"	2.75"	1.61"
	mm	46	26	23	48	NPT		
2"	In.	2.25"	1.17"	1.00"	2.17"	1/8" or	3.13"	2.03"
	mm	57	30	25	55	1/4"		
2 1/2"	In.	2.71"	1.40"	1.31"	2.71"	1/4"	3.84"	2.49"
	mm	69	36	33	69	NPT		

Dial Size	Est. Unit Weight	Box Qty
1 1/2"	0.30 lbs (0.12 kg)	100
2"	0.45 lbs (0.20 kg)	100
2 1/2"	0.70 lbs (0.32 kg)	50